

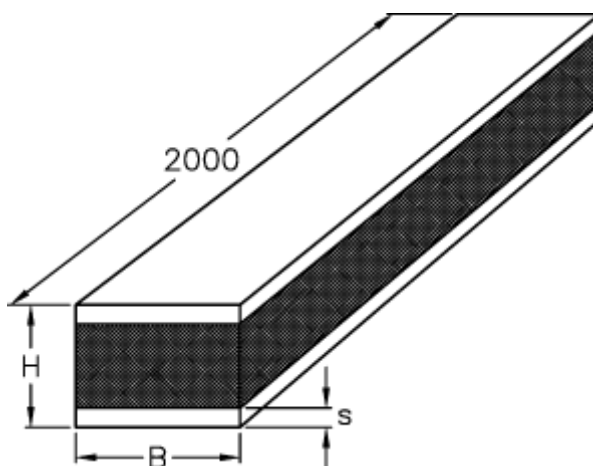
# Data Sheet



Article number: 51030452000010  
Description: Vibration damper GS-M2  
100x40x2000-10, NR shore 57

## Measures

---



B = 100  
H = 40  
S = 10